



Off Grid Single Phase Inverter

MPE SERIES

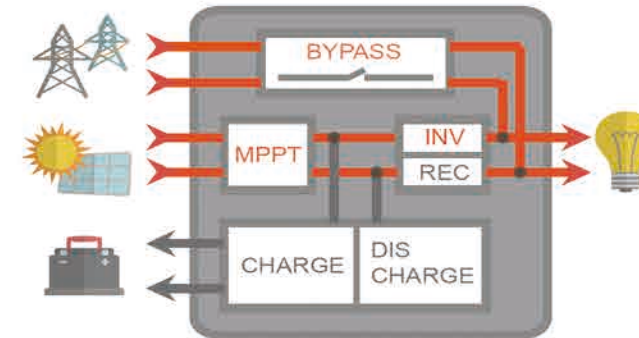


Features

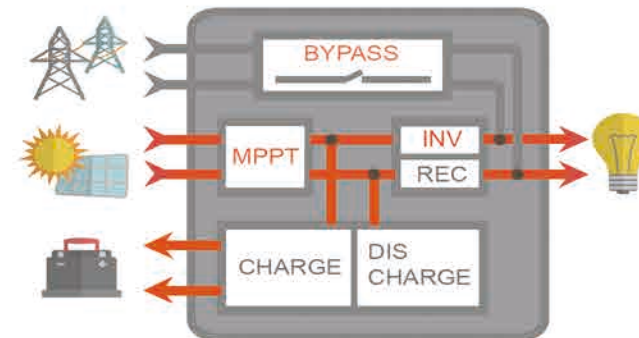
- Power factor 1.0
- Pure sine wave inverter
- Work without battery available
- Auto restart while AC is recovering
- Overload and short circuit protection
- Compatible to mains voltage or generator power
- Selectable charging current based on applications
- Configurable AC/Solar input priority via LCD setting
- Smart battery charger design for optimized battery performance
- Selectable input voltage range for home appliances and personal computers
- Built-in MPPT solar charge controller with 120-500V wide PV input, 5KW max. PV array power
- Monitor and manage solar system by smart phone and PC, available for iOS and Android



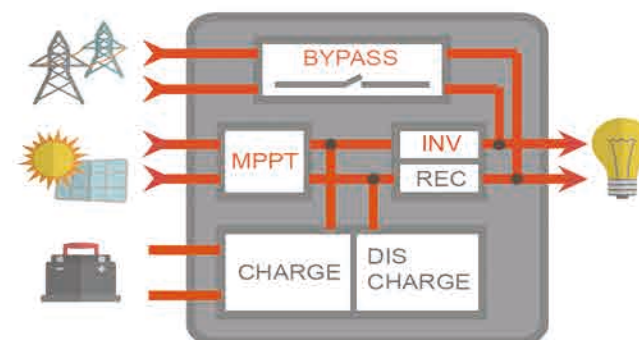
Benefits



It can be running without batteries, energy shared from utility and solar to loads at the same time or alternatively. Without batteries, it can help clients to reduce the whole solar system cost and save electricity fee.



It combines a wide PV input range MPPT controller, can convert solar energy from P'V to loads directly and the remaining solar energy converted to batteries synchronously.



When PV output is reduced by clouds or at night, resulting in no surplus PV power available, loads powered by utility, batteries are charged, when utility outage, batteries are discharged.



Connection



MPE Series Inverter Selection Guide

Model	MPE-2000W	MPE-3200W	MPE-5000W
Rated Power	2000VA/2000W	3200VA/3200W	5000VA/5000W
AC Input			
Voltage	230 VAC		
Selectable Voltage Range	170-280 VAC (For personal computers), 90-280 VAC (For home appliances)		
Frequency Range	50/60Hz (Auto sensing)		
AC Output			
AC Voltage Regulation (Batt. Mode)	230VAC ± 5%		
Surge Power	4000VA	6400VA	10000VA
Efficiency (Peak) PV to INV.	97%		
Efficiency (Peak) Battery to INV.	94%		
Transfer Time	10 ms (For personal computers); 20 ms (For home appliances)		
Waveform	Pure sine wave		
Battery			
Battery Voltage	24VDC	24VDC	48VDC
Floating Charge Voltage	27VDC	27VDC	54VDC
Overcharge Protection	33VDC	33VDC	63VDC
Solar Charger & AC Charger			
Maximum PV Array Power	2000W	4000W	5000W
MPPT Range @ Operating Voltage	120VDC ~ 450VDC		
Maximum PV Array Open Circuit Voltage	500VDC		
Maximum Solar Charge Current	60A	80A	80A
Maximum AC Charge Current	40A	80A	60A
Maximum Efficiency	98%		
Physical			
Dimension (DxWxH) mm	100 x 300 x 440		
Net Weight (KGS)	8	9	10
Communication Interface	USB/ RS232/ GPRS/ WIFI		
Operating Environment			
Humidity	5% to 95% relative humidity (non-condensing)		
Operating Temperature	0°C to 55°C		
Storage Temperature	-15°C to 60°C		

Product specifications are subject to change without further notice.